

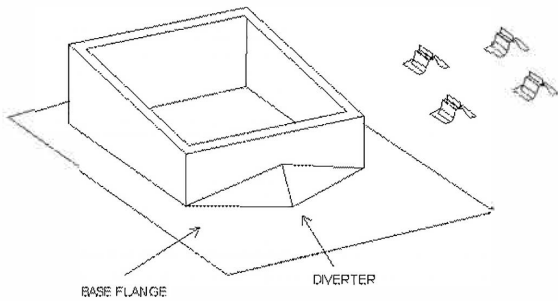
METAL ROOF CURB INSTALLATION  
FOR ALL METAL ROOF APPLICATIONS



MATERIAL LIST  
(AS DETERMINED BY CURB SIZE)

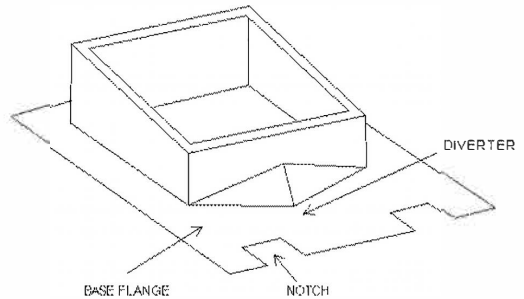
- ROOF CURB \_\_\_\_\_
- RIB CAPS \_\_\_\_\_
- SCREWS \_\_\_\_\_
- URETHANE SEALANT \_\_\_\_\_
- GASKET \_\_\_\_\_

1.



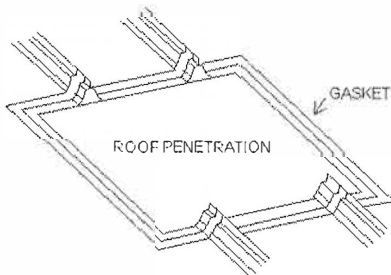
DETERMINE LOCATION FOR ROOF CURB INSTALLATION AND VERIFY SUPPORT IS IN PLACE TO SUPPORT ROOF CURB AND EQUIPMENT.

2.



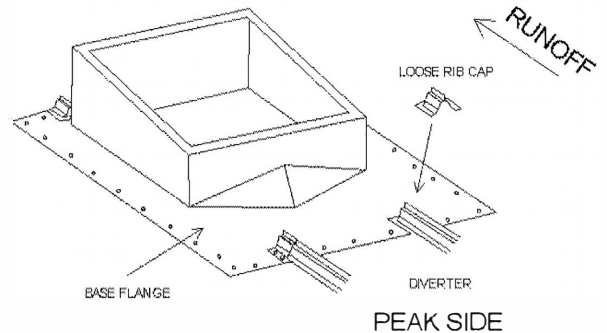
NOTCH BASE FLANGE WHERE REQUIRED TO ACCOMMODATE PANEL RIBS.

3.



CUT OUT DECKING TO ALLOW CURB TO SIT FLUSH WITH METAL DECKING. APPLY GASKET TAPE AS SHOWN. BE SURE GASKET WILL SIT BETWEEN ROOF PANEL AND CURB BASE FLANGE.

4.



APPLY URETHANE SEALANT TO BASE FLANGE AND SET CURB OVER ROOF PENETRATION. FASTEN ON 4" CENTERS WITH GASKETED SCREWS. APPLY SEALANT TO UNDERSIDE OF RIB CAP AND FASTEN TO BASE FLANGE WITH GASKETED SCREWS.

NOTE 1. ALL MATERIALS PROVIDED ARE BASED OFF INFORMATION RECEIVED AT TIME OF PURCHASE  
NOTE 2. THE ABOVE INSTRUCTIONS ARE GENERAL IN NATURE. FOR SPECIFIC INSTRUCTIONS PLEASE CONSULT WITH ROOFING MANUFACTURER.